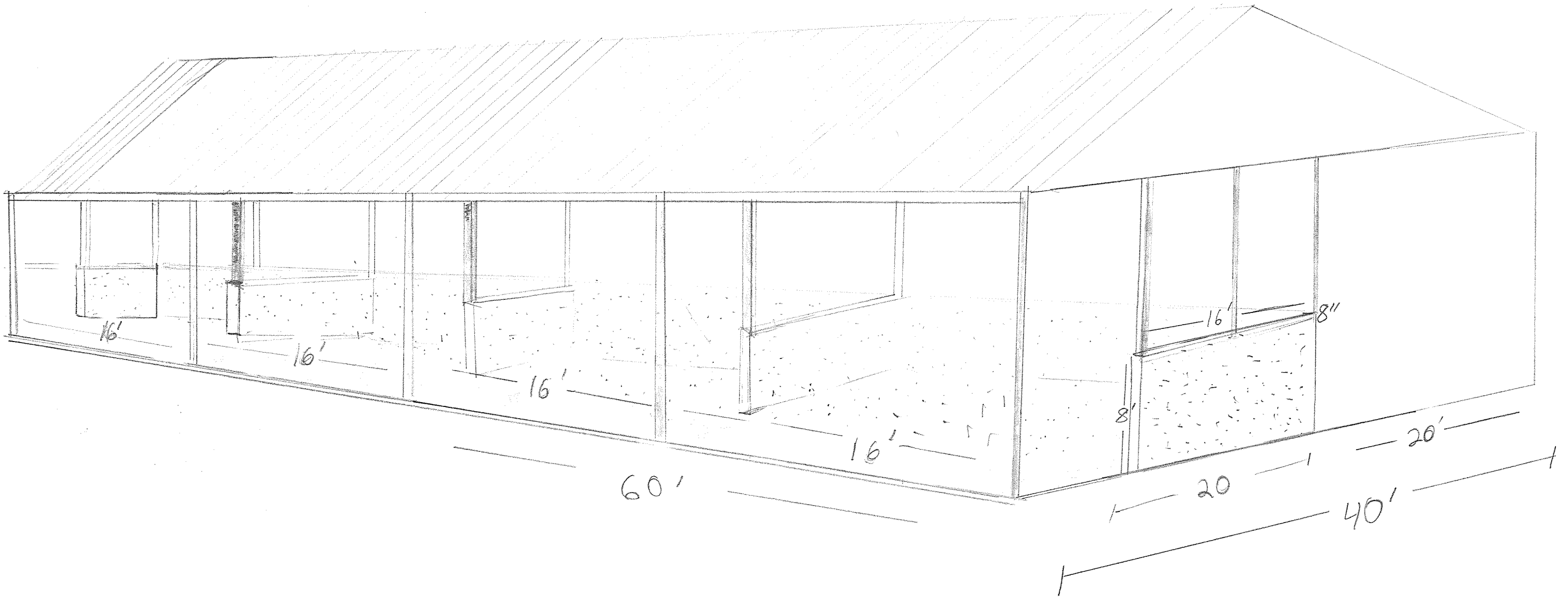
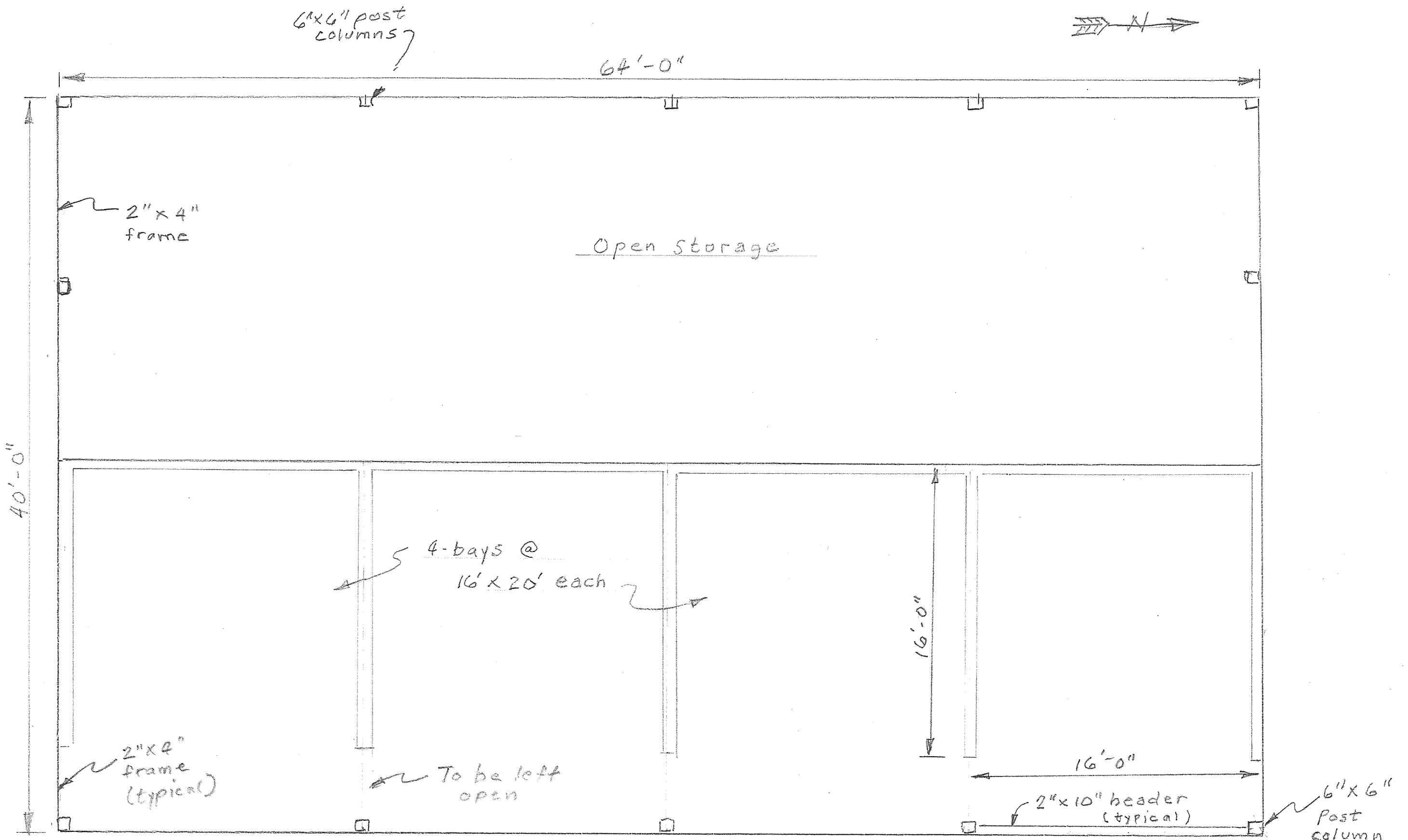


# Proposed Salt Bins



Not to scale

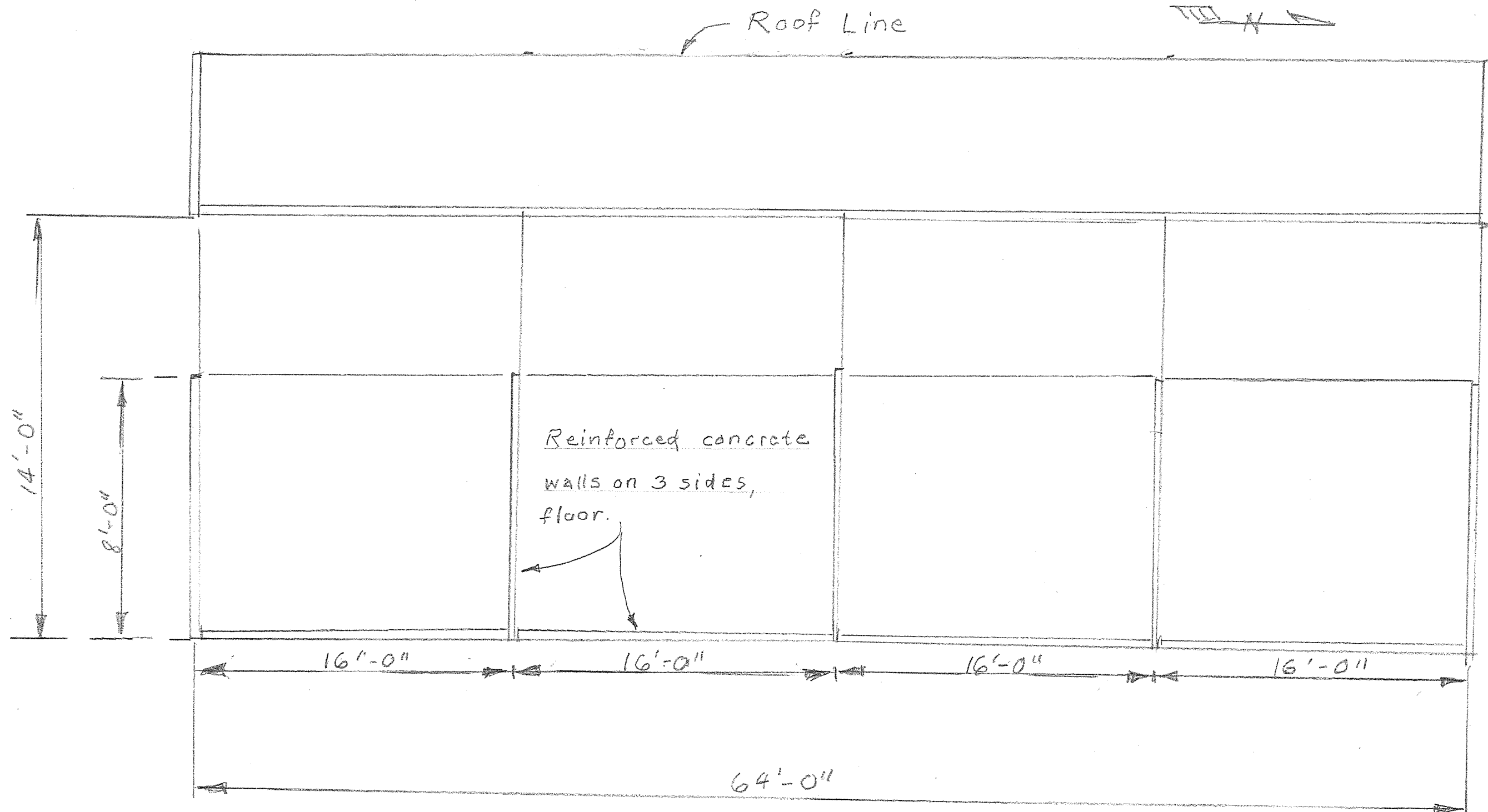
40' x 64' Salt Bins



Floor Plan and Framing Plan

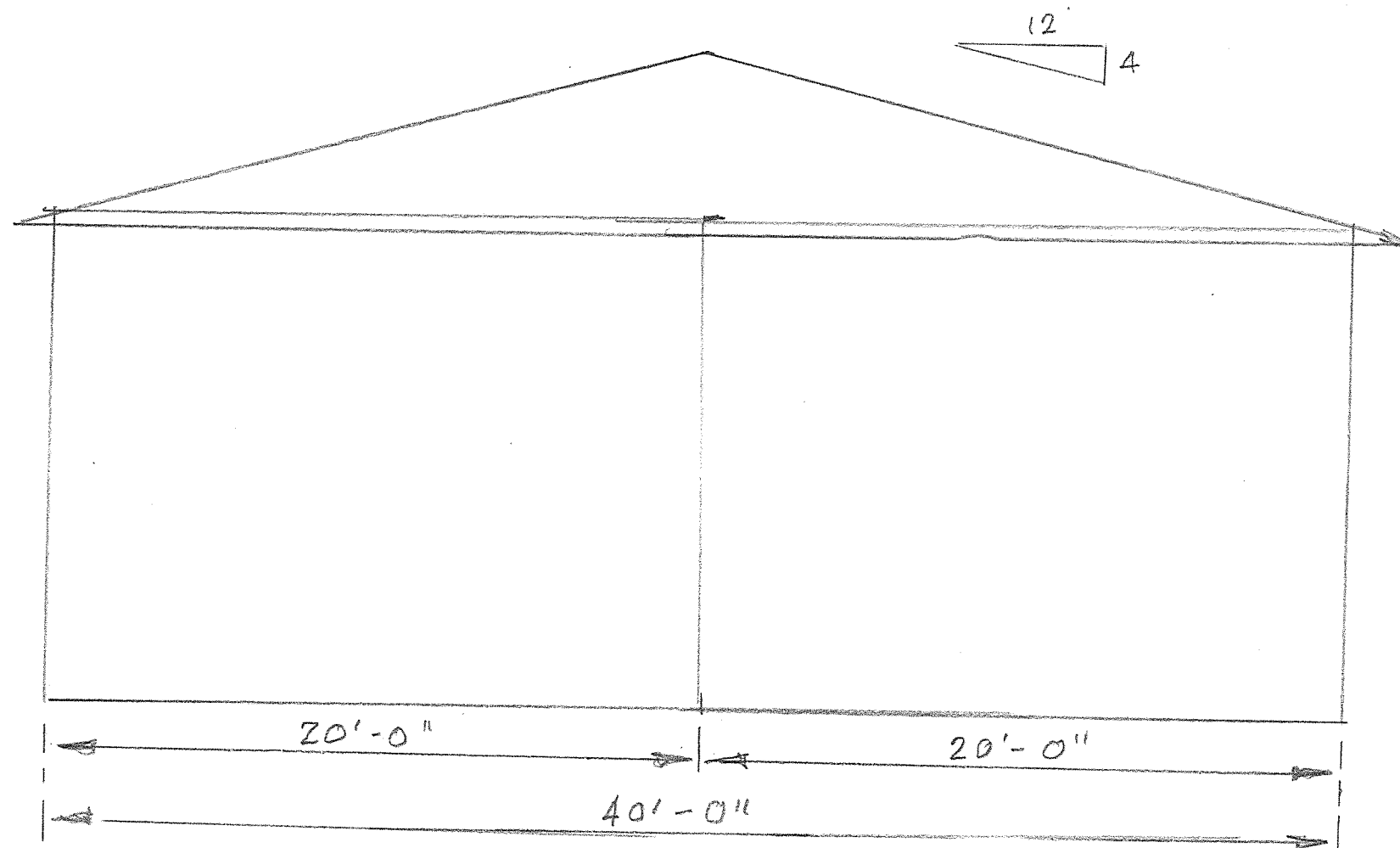
Scale: 1" = 5'-0"

JJC  
2/28/22



Front Elevation

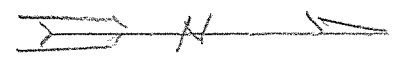
No scale



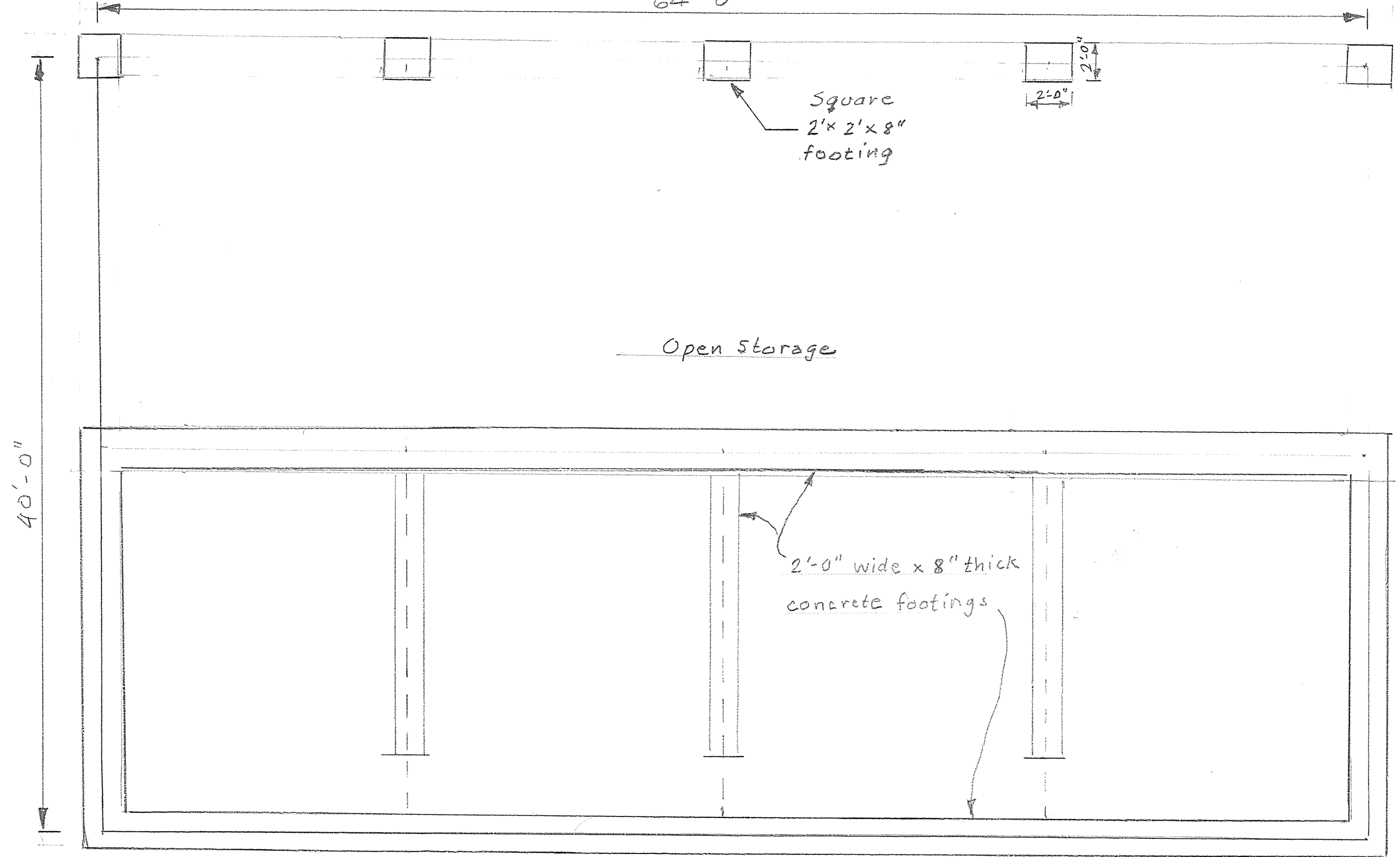
Side Elevation

Scale: 1" = 5'-0"

2/28/22



64'-0"



Square  
2'x 2'x 8"  
footing

Open Storage

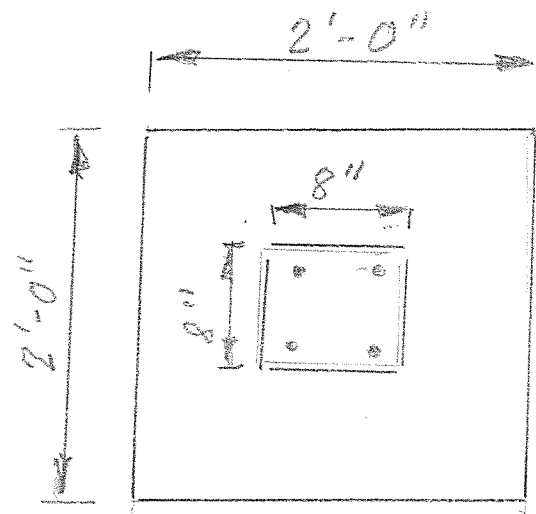
2'-0" wide x 8" thick  
concrete footings

40'-0"

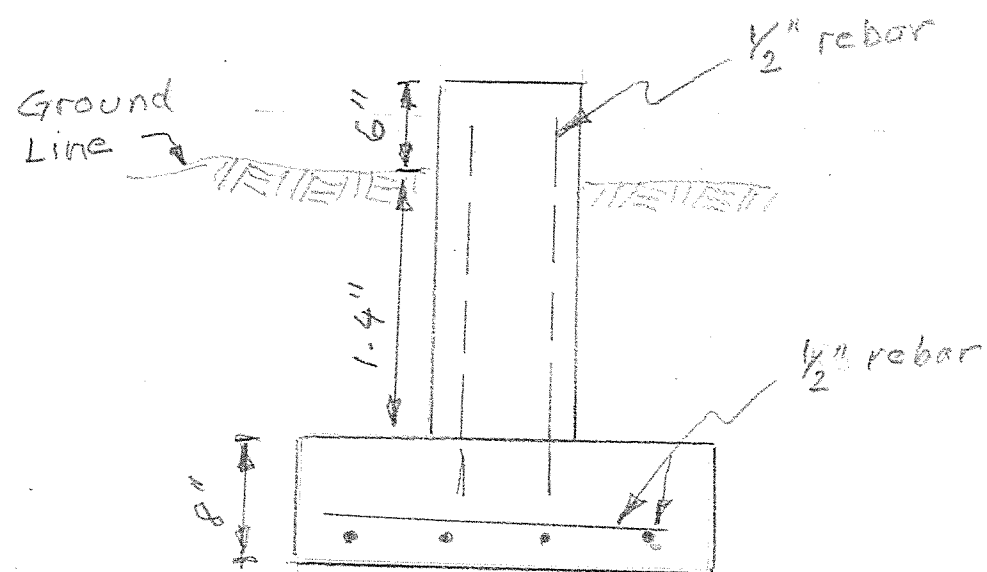
Foundation Plan

Scale: 1"=5'-0"

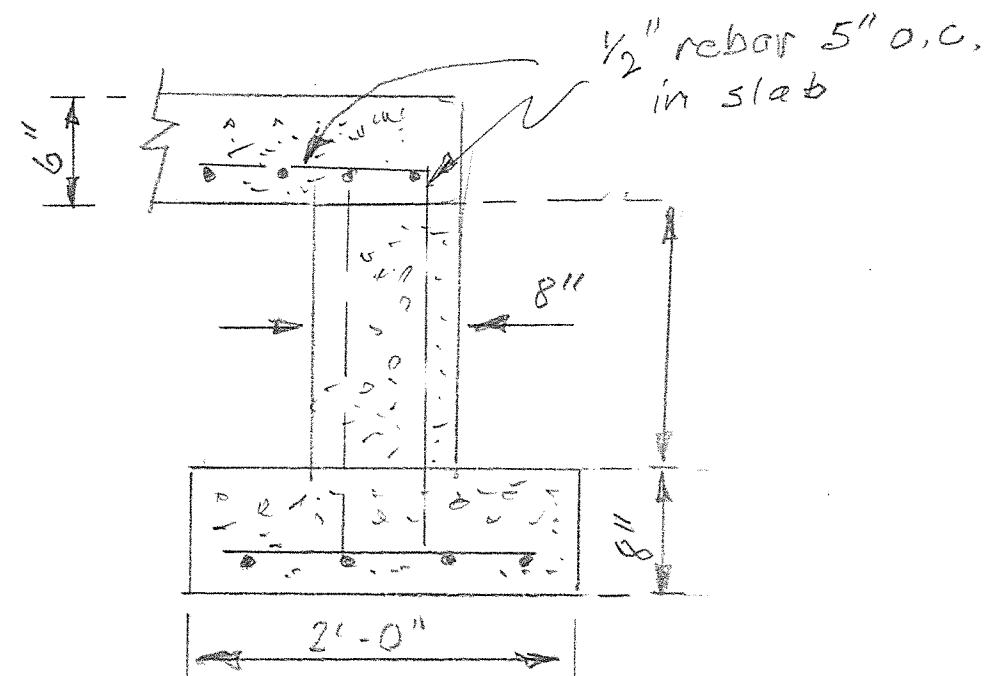
JJC.  
3/1/22



Plan View of Square Spread Footing Scale: 1"=1'-0"



Side View of Square Footing



Continuous Footing Details

Footing Details